



Government of Nepal
Ministry of Urban Development
High Powered Committee for Integrated Development of the Bagmati Civilization
Bagmati River Basin Improvement Project
Guheshwori, Kathmandu

SHOPPING
FOR
“MATERIALS FOR SOLID WASTE MANAGEMENT”
Request for Quotation

Contract Ref: BRBIP – G10 (2nd Lot) - 2018

May 2018

SHOPPING FOR “MATERIALS FOR SOLID WASTE MANAGEMENT”

REQUEST FOR QUOTATION (RFQG)

Project Title: Bagmati River Basin Improvement Project (BRBIP)

Source of Funding: ADB & GoN

Contract Ref: BRBIP – G10 (2nd Lot) - 2018

Date of Issue of Request: 2018/05/17

To: _____

Sir/Madam:

1. The **Bagmati River Basin Improvement Project, Guheshwori, Kathmandu** (Purchaser) hereby requests you to submit price quotation(s) for the supply of the following items:

S. No.	Description	Unit	Quantity	Remarks
1	Compost Bin (100 Ltrs) with top cover and necessary tools including printing of office logo in it as per specification	Set	350	

If you, however, have been associated with the firm that prepared the design, and specifications of the contract that is subject of this procurement, you shall be disqualified.

To assist you in the preparation of your price quotation we enclose the necessary technical specifications and required quantities.

2. You must quote for all the items under this request. Price quotations will be evaluated for all the items together and contract awarded to the firm offering the lowest evaluated total cost of all the items.
3. You shall submit one original Price Quotation, the Form of Quotation and attach Copy of Firm/ Business Registration Certificate, Copy of VAT/ PAN registration certificate, Tax clearance certificate upto 2073/74 & Copy of Manufacture’s authorization letter (for bins only). Your quotation in the attached format should be signed, sealed in an envelope and addressed to and delivered to the following address:

Purchaser’s Address

Government of Nepal
Ministry of Urban Development
Bagmati River Basin Improvement Project (BRBIP)
Guheshwori, Kathmandu

4. Your quotation written in **English** language, should be accompanied by a copy of manufacturer’s authorization letter.
5. The deadline for receipt of your quotation (s) by the Purchaser at the address indicated in Paragraph 3 is: within 12:00 hrs, 2018/05/22.
6. You shall submit only one set of quotations for the above items. Your quotation must be typed or written in indelible ink and shall be signed by you or your authorized representative. Without a signature in your Form of Quotation, your quotation will not be considered further.
7. Your quotation(s) should be submitted as per the following instructions and in accordance with the attached form of Contract. The attached Terms and Conditions of Supply is an integral part of the Contract.

- (i) **PRICES:** The prices should be quoted for supply and delivery to **Bagmati River Basin Improvement Project (BRBIP), Guheshwori, Kathmandu**. Prices shall be quoted in the currency of the Purchaser.
 - (ii) **EVALUATION OF QUOTATIONS:** Offers determined to be substantially responsive to the technical specifications will be evaluated by comparison of their prices. An offer is not substantially responsive if it contains material deviations or reservations to the terms, conditions, and specifications in this Request for Quotation, and it will not be considered further. The Purchaser will evaluate and compare only the quotations determined to be substantially responsive. In evaluating the quotations, the Purchaser will adjust for any arithmetical errors as follows:
 - (a) where there is a discrepancy between amounts in figures and in words, the amount in words will govern;
 - (b) where is a discrepancy between the unit rate and the line item total resulting from multiplying the unit rate by the quantity, the unit rate as quoted will govern; and
 - (c) if a Supplier refuses to accept the correction, his quotation will be rejected.
 - (iii) **AWARD OF PURCHASE ORDER.** The award will be made to the bidder offering the lowest evaluated price and that meets the required standards of technical and financial capabilities. The successful bidder will sign a Contract as per attached form of contract and terms and conditions of supply.
 - (iv) **VALIDITY OF THE OFFER:** Your quotation(s) should be valid for a period of thirty (30) days from the deadline for receipt of quotation(s) indicated in Paragraph 5 of this Request for Quotation.
 - (v) If you withdraw your quotation during the validity period and/or refuse to accept the award of a contract when and if awarded, then you will be excluded from the list of suppliers for the project for two years.
8. Further information can be obtained from:
Bagmati River Basin Improvement Project (BRBIP)
Guheshwori, Kathmandu
- Telephone:** 4498619, 4479703
Fax No.: 4482848
e-mail: pd.br bip@yahoo.com
9. The bidder whose quotation has been accepted will be notified of the award of contract through the Letter of Acceptance issued by the Purchaser within **seven** days from the date of submission of quotation.
10. The Purchaser intends to apply funds from the Asian Development Bank (ADB) for eligible payments under the Purchase Order resulting from this RFQ.
11. Under ADB's Anticorruption Policy bidders shall observe the highest standard of ethics during the procurement and execution of such contracts. ADB will reject a proposal for award, and will impose sanctions on parties involved, if it determines that the bidder recommended for award or any other party, has engaged in corrupt, fraudulent, collusive, or coercive practices in competing for, or in executing, the Contract. At the time of submission of your quotation, you should not be in ADB's sanctions list.
12. Please Confirm by fax/e-mail the receipt of this request and whether or not you will submit the price quotation(s).

Sincerely,

(Ashish Ghimire)
Project Director

FORM OF QUOTATION

To: The Project Director,
Bagmati River Basin Improvement Project (BRBIP),
Guheshwori, Kathmandu

We offer to execute the **Supply of Materials for Solid Waste Management, BRBIP – G10 (2nd Lot) - 2018** in accordance with the Conditions of Contract accompanying this Quotation for the Contract Price of

_____ (amount in words and numbers) in NRs. We propose to complete the delivery of Goods described in the Contract within the following Delivery Time from the Date of Signing of the Contract.

S. No.	Name of Goods or Related Services	Qty.	Unit	Unit Price (NRs.)		Amount (NRs.)	Delivery Time
				In Figure	In Words		
1	Compost Bin (100 Ltrs) with top cover and necessary tools including printing of office logo in it as per specification	350	Set				30 Days from the date of purchase order (work order)
Total							
Discount (if any)							
Total with Discount							
VAT @ 13%							
Grand Total							
Grand Total (In Words) :							

This Quotation and your written acceptance will constitute a binding Contract between us. We understand that you are not bound to accept the lowest or any Quotation you receive.

We hereby confirm that this Quotation complies with the Validity of the Offer and Warranty conditions imposed by the Request for Quotation document and the Terms and Conditions of Supply, respectively.

We have not been associated with the firm that prepared the design and specifications of the contract that is subject of this request for quotation.

We are not in the ADB sanctions list.

Authorized Signature: _____

Name and Title of Signatory _____

Name of Supplier: _____

Phone Number: _____

Address: _____

Fax Number, if any: _____

Email address (optional) _____

FORM OF CONTRACT

THIS AGREEMENT made on the *[insert number]* day of *[insert month]*, *[insert year]*, between **Government of Nepal, Ministry of Urban Development, Bagmati River Basin Improvement Project (BRBIP)**, Guheshwori, Kathmandu (hereinafter “the Purchaser”), of the one part, and *[insert complete name of supplier]* of *[insert complete address of supplier]* (hereinafter “the Supplier”), of the other part:

WHEREAS the Purchaser has requested for quotation for “*Supply of Materials for Solid Waste Management*” to be supplied by Supplier, viz. Contract **SHOPPING FOR Materials for Solid Waste Management, BRBIP – G10 (2nd Lot) - 2018**, (hereinafter called “Contract”) and has accepted the Quotation by the Supplier for the supply of goods under Contract at the sum of _____ (_____) hereinafter called “the Contract Price”.

NOW THIS AGREEMENT WITNESSETH AS FOLLOWS:

1. The following documents shall be deemed to form and be read and construed as part of this agreement, viz:
 - a) Form of Quotation; Terms and Conditions of Supply, Technical Specifications;
 - b) Addendum (if applicable);
2. Taking into account payments to be made by the Purchaser to the Supplier as hereinafter mentioned, the Supplier hereby concludes an Agreement with the Purchaser to execute and complete the supply of goods under the Contract and remedy any defects therein in conformity with the provisions of the Contract.
3. The Purchaser hereby covenants to pay, in consideration of the acceptance of Contract, supply and delivery of the goods and remedying of defects therein, the Contract Price in accordance with Payment Conditions prescribed by the Contract.

IN WITNESS whereof the parties hereto have executed the Contract under the laws of _____ (country of Purchaser) on the date indicated above.

Signature and seal of the Purchaser:

For and on behalf of

Name of Authorized Representative

Signature and seal of the Supplier:

For and on behalf of

Name of Authorized Representative

TERMS AND CONDITIONS OF SUPPLY

Project Name: Bagmati River Basin Improvement Project

Contract Ref: BRBIP – G10 (2nd Lot) - 2018

1. Schedules for Supply

S. No.	Name of Goods or Related Services	Specification	Quantity	Delivery Time
(i)	Compost Bin (100 Ltrs) with top cover and necessary tools including printing of office logo in it as per specification	As per the attached specification	To be supplied in 3 lots (One lot contain at least 100 pieces)	First lot to be supplied within 7 days from the date of contract agreement, and the rest within 30 days from date of contract agreement.

2. Fixed Price: The prices indicated in the Form of Quotation are firm and fixed and not subject to any adjustment during contract performance.

3. Delivery Schedule: The delivery should be completed as per above schedule.

4. Insurance: The Goods supplied under the Contract shall be fully insured in a freely convertible currency against loss or damage incidental to manufacture or acquisition, transportation, storage and delivery. The insurance shall be in an amount equal to 110 percent of the value of the Goods on “All risks” basis.

5. Applicable Law: The Contract shall be interpreted in accordance with the laws of the Purchaser's country.

6. Resolution of Disputes: The Purchaser and the Supplier shall make every effort to resolve amicably by direct informal negotiation any disagreement or dispute between them under or in connection with the Contract. In the case of a dispute between the Purchaser and the Supplier, the dispute shall be settled in accordance with the provisions of the _____ (arbitration law or rules of the Purchaser’s country).

7. Delivery and Documents: Upon delivery, the Supplier shall provide the following documents to the Purchaser:

- (i) copies of the Supplier’s invoice showing goods’ description, quantity, unit price, and total amount;

If goods are coming by courier, supplier shall also provide prior to delivery, copies of documents that will enable Purchaser to receive the goods. The above documents shall be received by the Purchaser at least one week before arrival of the goods and, if not received, the Supplier shall be responsible for any consequent expenses.

8. Payment: Payment of the contract price shall be made only upon acceptance of the delivered goods by the Purchaser.

9. Warranty: Goods offered should be covered by manufacturer’s warranty for at least 12 months from the date of delivery to the Purchaser.

10. Defects: All defects will be corrected by the Supplier without any cost to the Purchaser within 15 days from the date of notice by Purchaser. The name and address of service facility where the defects are to be corrected by the supplier within the warranty period are:

Facility _____

Address _____

11. Force Majeure: The supplier shall not be liable for penalties or termination for default if and to the extent that its delay in performance or other failure to perform its obligations under the Contract is the result of an event of Force Majeure.

For purposes of this clause, “Force Majeure” means an events beyond the control of the Supplier and not involving the Supplier’s fault or negligence and not foreseeable. Such events may include, but not restricted to, act of Purchaser in its sovereign capacity, wars or revolutions, fires, floods, epidemics, quarantine restrictions, and freight embargoes.

If a Force Majeure situation arises, the Supplier shall promptly notify the Purchaser in writing of such condition and the cause thereof. Unless otherwise directed by the Purchaser in writing, the Supplier shall continue to perform its obligations under the Contract as far as is reasonably practical, and shall seek all reasonable alternative means for performance not prevented by Force Majeure event.

12. Required Technical Specifications: (with attachments as necessary)

- (i) General Description
- (ii) Specific details and technical standards
- (iii) Performance Parameters

Supplier confirms compliance with above specifications.

13. Failure to Perform: The Purchaser may cancel the Agreement if the Supplier fails to deliver the Goods, in accordance with the above terms and conditions, in spite of a 14-day notice given by the Purchaser, without incurring any liability to the Supplier.

NAME OF SUPPLIER: _____

Authorized Signature : _____

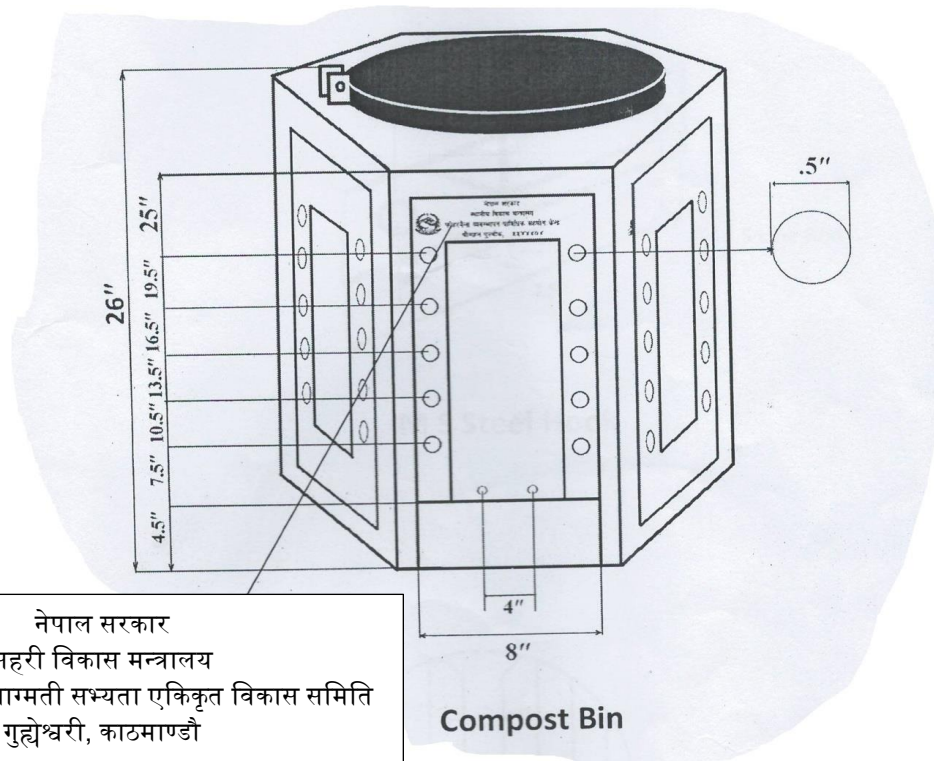
Place: _____

Date : _____

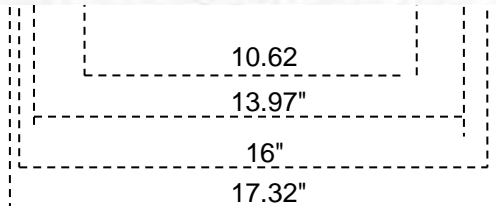
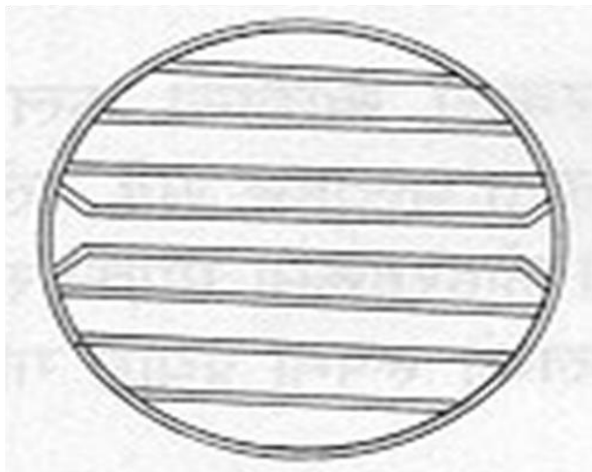
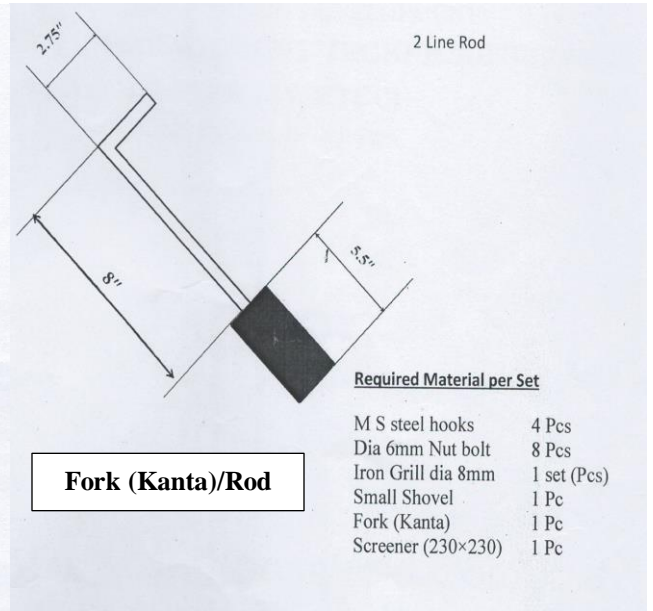
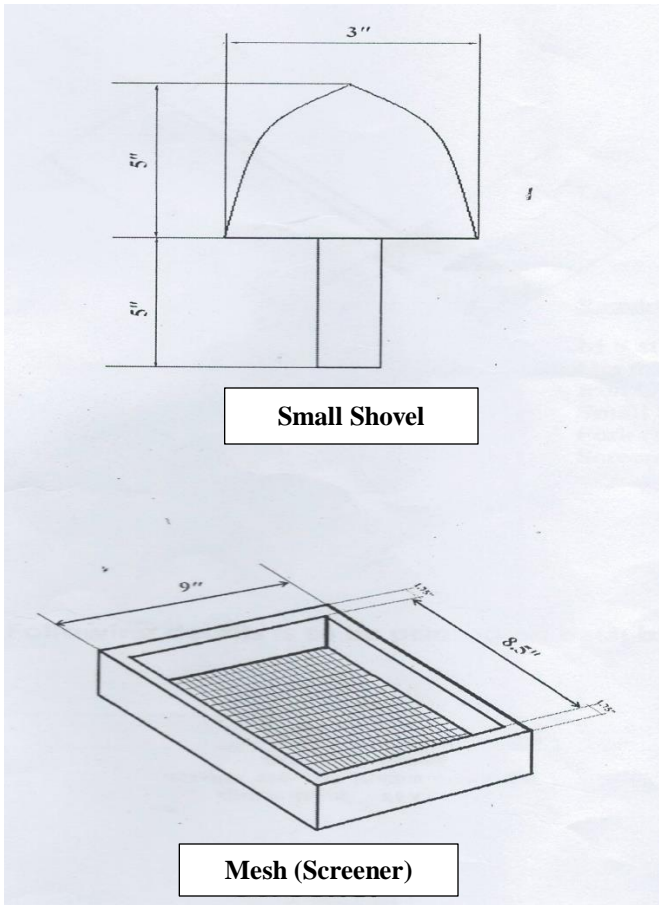
TECHNICAL SPECIFICATION

1 Compost Bin Set:

S.No.	Particular	Description	Requirement
1	Compost Bin	Household Polythene Compost Bin with Top cover /lid	<p>It shall be 100 liter in capacity, made up of polythene, weighting minimum 3.8 kg container with lid except iron grill & tools.</p> <p>Grill, hook and lid Cover It shall be light blue color whereas black lid comber also shall be accepted.</p> <p>It shall be hexagonal shape with 240 mm width at each side.</p> <p>It shall be prepared with 8 numbers of 12.5 mm diameter hole at each side spacing as shown in drawing</p> <p>Lid /cover shall be not less than 350 mm.</p>
	Tools	Small Shovel	
		Fork(kanta)	
		Mesh (screener)	
		Iron grill	



नेपाल सरकार
सहरी विकास मन्त्रालय
अधिकार सम्पन्न बाग्मती सभ्यता एकिकृत विकास समिति
गुह्येश्वरी, काठमाण्डौ



Iron grill

